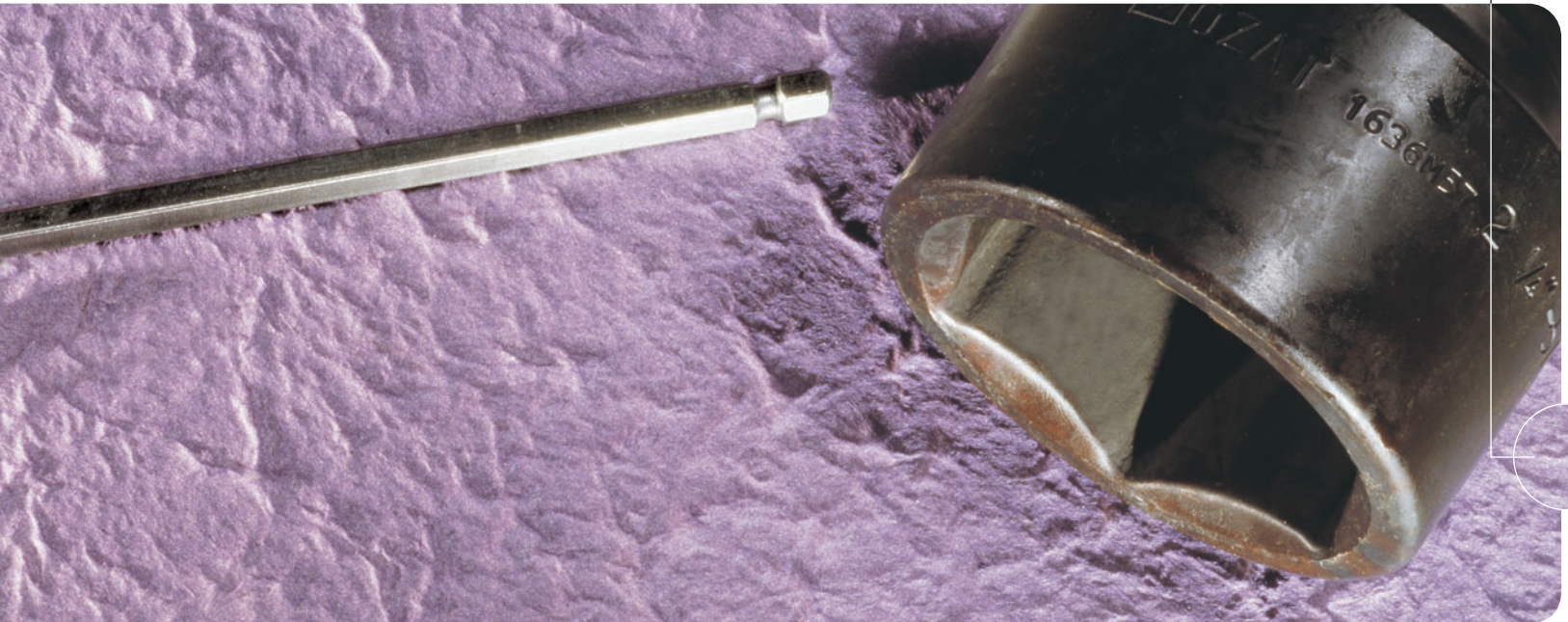




# 6 Pt. Impact Sockets

For use with Torque Multipliers



## 3/4" SQUARE DRIVE

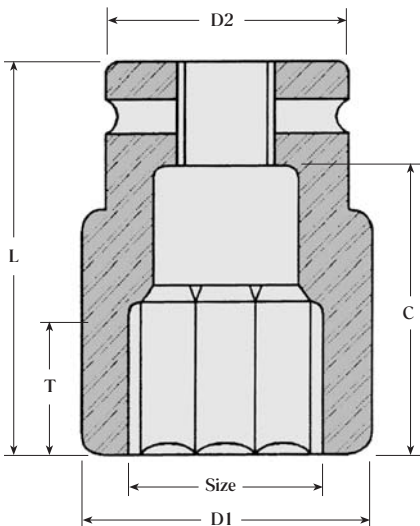
Size	Item #	Dimensions in.				
		D1	D2	L	T	C
1	271686	1.614	1.732	1.890	0.512	0.890
1 1/16	271221	1.732	1.732	2.047	0.512	1.047
1 1/8	271631	1.732	1.732	2.047	0.650	1.047
1 1/4	271220	1.929	1.732	2.047	0.650	1.047
1 3/8	271632	2.047	1.732	2.165	0.748	1.165
1 7/16	271223	2.047	1.732	2.205	0.748	1.205
1 1/2	271633	2.126	1.732	2.283	0.866	1.283
1 9/16	271634	2.244	1.732	2.283	0.866	1.283
1 5/8	271225	2.244	1.732	2.283	0.866	1.283
1 3/4	271635	2.480	1.732	2.480	0.995	1.480
2	271232	2.874	2.126	2.598	1.062	1.598

## 1" SQUARE DRIVE

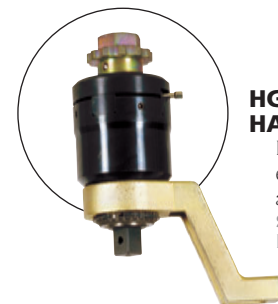
Size	Item #	Dimensions in.				
		D1	D2	L	T	C
2	271614	2.874	2.126	2.756	1.062	1.631
2 1/16	271668	3.071	2.126	2.953	1.181	1.828
2 1/8	271708	3.228	2.126	2.953	1.181	1.828
2 1/4	271636	3.228	2.126	3.071	1.299	1.946
2 3/8	271709	3.386	2.126	3.543	1.378	2.418
2 7/16	271639	3.622	2.126	3.543	1.378	2.418
2 1/2	271640	3.622	2.126	3.543	1.378	2.418
2 9/16	271641	3.622	2.126	3.543	1.378	2.458
2 5/8	271642	3.622	2.126	3.661	1.496	2.536
2 3/4	271644	3.780	3.386	3.740	1.496	2.615
2 7/8	271710	3.937	3.386	3.740	1.614	2.615
3	271717	4.134	3.386	3.780	1.732	2.655

## 1 1/2" SQUARE DRIVE

Size	Item #	Dimensions in.				
		D1	D2	L	T	C
2 3/8	272466	3.622	3.386	3.740	1.378	2.115
2 1/2	270818	3.937	3.386	3.740	1.378	2.115
2 9/16	270865	3.937	3.386	3.740	1.378	2.115
2 5/8	271711	3.937	3.386	3.937	1.496	2.312
2 3/4	272444	4.134	3.386	3.937	1.496	2.312
2 7/8	271712	4.291	3.386	4.134	1.614	2.509
3	272448	4.528	3.386	4.331	1.732	2.706
3 1/8	272445	4.528	3.386	4.331	1.770	2.706
3 3/16	271713	4.764	3.386	4.724	1.850	3.099
3 1/4	272446	4.764	3.386	4.724	1.850	3.099
3 3/8	271714	5.000	3.386	4.724	1.930	3.099
3 7/16	271715	5.000	3.386	4.724	1.930	3.099
3 1/2	271716	5.118	3.386	4.724	1.930	3.099



**EF-SERIES  
INLINE MULTIPLIER**  
with built-in controller  
SEE SECTION 05  
PAGE 05.5 & 05.6



**HG  
HAND MULTIPLIER**  
Ideal tool where air and  
electricity aren't easily  
accessible.  
SEE SECTION 05  
PAGE 05.10