

Calibration Stands



ROTARY FIXTURE STAND

The stand keeps the Rotary Transducer in a stable position for the calibration process.

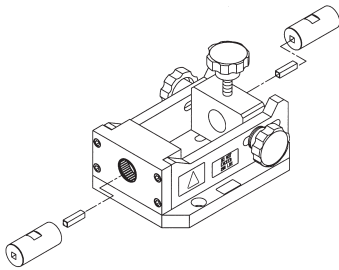
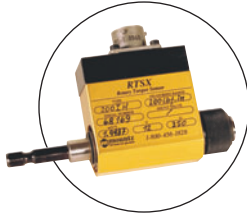
Supplied with Pin Adapters and In/Out Adapters.

Calibration Wheel(s), Hanger(s), Weight(s), and Torque Analyzer are required for calibration of a Rotary Transducer. See Page 01.18

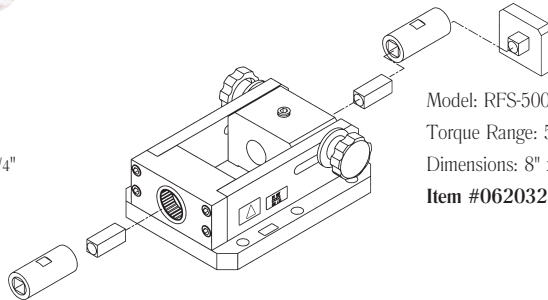
RTSX TRANSUCER (rotary style)

1 lbf.in - 1500 lbf.ft
For power tools and rotation measurement.

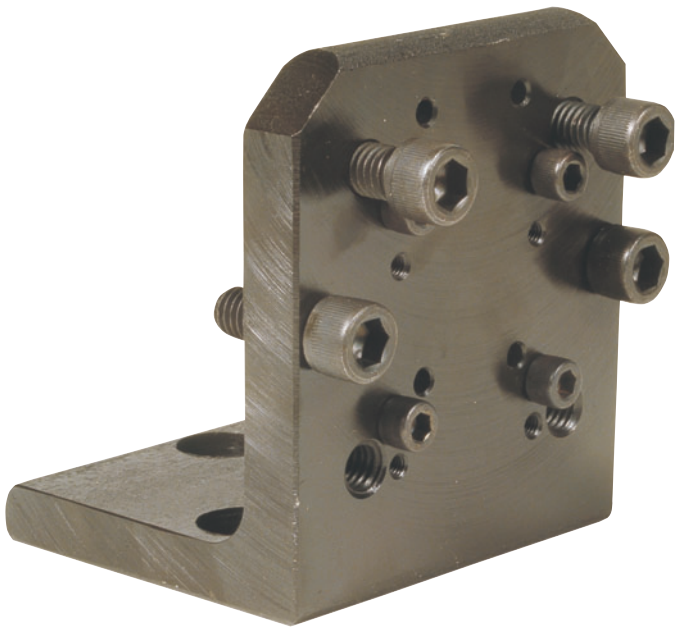
SEE PAGE 01.12



Model: RFS-200
Torque Range: 1 - 200 lbf.in
Dimensions: 5 1/2" x 7 1/4" x 2 3/4"
Item #060234



Model: RFS-500
Torque Range: 5 - 500 lbf.in
Dimensions: 8" x 11" x 4 1/4"
Item #062032



Mounting Brackets

Model: MB-1
Works with: BMX20z - BMX500F
LPX20z - LPX160z
All EZ-TorQ Models

Dimensions: 4" x 3" x 4"
Item #062109

Model: MB-2
Works with: BMX1000F - BMX2500F

Dimensions: 7" x 6" x 6"
Item #062129



BMX CALIBRATION

A BMX transducer is securely mounted for calibrating a torque wrench using a Mounting Bracket. Keeping the transducer in a stable position ensures the accuracy of the torque measurement during operation.