

# EFC

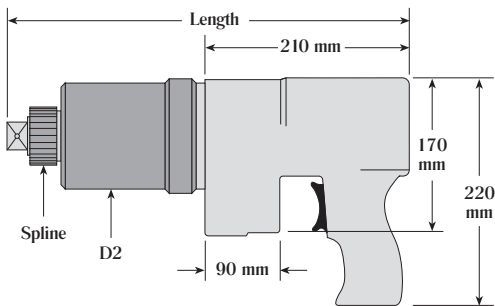
## Electric Torque Multiplier (with built-in controller)

### STANDARD

Model	Item #	Torque Ranges		Speed RPM
		lbf.ft	N.m	
EFC40	210644	63 - 354	85 - 480	78
EFC80	210645	107 - 620	145 - 840	44
EFC100	210646	144 - 815	195 - 1105	33
EFC180	210647	247 - 1416	335 - 1920	19
EFC250	210648	336 - 1910	455 - 2590	14
EFC300	210649	376 - 2150	510 - 2915	13
EFC350	210650	487 - 2788	660 - 3780	10
EFC480	210651	642 - 3666	870 - 4970	7

### PLUS

Model	Item #	Torque Ranges		Speed RPM
		lbf.ft	N.m	
EFC40Plus	210652	63 - 354	85 - 480	78
EFC80Plus	210653	107 - 620	145 - 840	44
EFC100Plus	210654	144 - 815	195 - 1105	33
EFC180Plus	210655	247 - 1416	335 - 1920	19
EFC250Plus	210656	336 - 1910	455 - 2590	14
EFC300Plus	210657	376 - 2150	510 - 2915	13
EFC350Plus	210658	487 - 2788	660 - 3780	10
EFC480Plus	210659	642 - 3666	870 - 4970	7



### DIMENSIONS and WEIGHT

Model	Square Drive	Spline Dia. mm	D2 mm	Length		Weight lbs.
				in.	mm	
EFC40	3/4"	41	85	13	330	19.6
EFC80	3/4"	41	85	13	330	19.6
EFC100	3/4"	41	85	13	330	19.6
EFC180	1"	54	85	15	382	23.4
EFC250	1"	54	85	15	382	23.4
EFC300	1"	72	98	15.7	400	27.3
EFC350	1 1/2"	72	98	15.7	400	27.5
EFC480	1 1/2"	72	98	15.7	400	27.5

### RENTAL!

Torque Multipliers are part of our Rental Program. Ask a customer service representative about availability.



TORQUE MULTIPLIERS

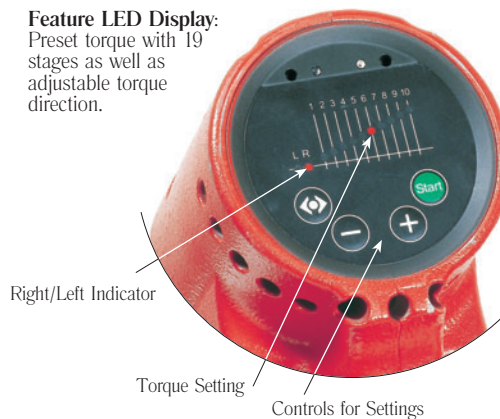
### KEY FEATURES

- Accuracy better than  $\pm 5\%$ .
- Precision tightening and loosening of all heavy duty fastening connections.
- Shuts-off when pre-set torque is achieved. Non-impacting and operates at a smooth, continuous rotation.
- Increases speed and productivity, 5-10 times faster than slow ratcheting hydraulic wrenches. Less expensive than hydraulic wrenches.
- Ergonomically safer than the harmful hammering of impact wrenches. Eliminates frequent and costly repairs of impact wrenches.
- Standard models feature LED Display or "Plus" models feature LC Display.
- Microprocessor controlled. The speed, frequency and torque correspond with built-in controller (no separate box needed).
- Brushless motor design provides low maintenance.
- Over-heat protection.
- Universal AC Input (100-253V / 45-66 Hz).
- The handle can "free float" or locks in set position.



### STANDARD MODELS

Feature LED Display:  
Preset torque with 19 stages as well as adjustable torque direction.



Right/Left Indicator

Torque Setting

Controls for Settings

### PLUS MODELS

Feature LC Display:  
Preset torque & rotation angle can be set and displayed as well as adjustable torque direction.



Torque Setting

Rotation Angle Setting

Controls for Settings



ISO 9001:2000 COMPANY

EFC  
05.4