

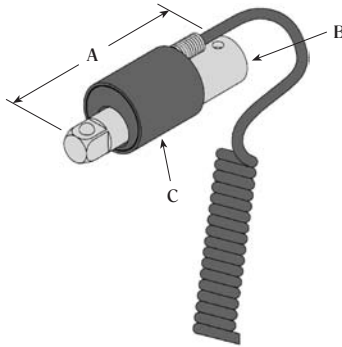
SMX

Torque Socket Transducer

Model	Item #	Torque Ranges		
		American	S.I.	Metric
SMX25i	071008	2.5 - 25 lbf.in	28.2 - 282.5 cN.m	2.9 - 28.8 kgf.cm
SMX50i	071009	5 - 50 lbf.in	56.5 - 565 cN.m	5.8 - 57.6 kgf.cm
SMX100i	071000	10 - 100 lbf.in	113 - 1130 cN.m	11.5 - 115 kgf.cm
SMX50F	071003	5 - 50 lbf.ft	6.8 - 67.8 N.m	0.7 - 6.9 kgf.m
SMX200F	071001	20 - 200 lbf.ft	27.1 - 271 N.m	2.8 - 27.6 kgf.m
SMX500F	071002	50 - 500 lbf.ft	67.8 - 678 N.m	6.9 - 69.1 kgf.m

DRIVE SIZE & DIMENSIONS

Model	Square Drive	A	B	C
SMX25i	1/4"	2 (50.8)	.56 (14.2)	1 (25.4)
SMX50i	1/4"	2 (50.8)	.56 (14.2)	1 (25.4)
SMX100i	1/4"	2 (50.8)	.56 (14.2)	1 (25.4)
SMX50F	3/8"	3 (76.2)	.73 (18.5)	1.12 (28.6)
SMX200F	1/2"	3.5 (89)	.98 (24.9)	1.25 (31.8)
SMX500F	3/4"	5 (127)	1.48 (37.6)	2 (50.8)



SPECIFICATIONS

Rated Output: 2 mV/V Nominal
Zero Balance: $\pm 2\%$ of Rated Output
Safe Overload: 125% of Rated Output
Excitation (VDC or VAC): 10 Recommended, 18 Maximum
Bridge Resistance: 1000 Ohms Nominal
Nonlinearity: $\pm .2\%$ of Rated Output
Operating Temperature: -40 to 180°F (-40 to 82°C)



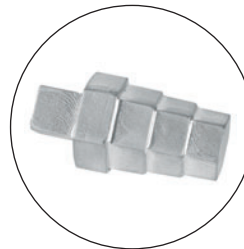
CERTIFIED

Supplied with NIST-Traceable
Certification of Calibration



KEY FEATURES

- Accuracy $\pm .25\%$ of full scale.
- Various models that range 2.5 lbf.in to 500 lbf.ft.
- Bi-directional.
- Compact and robust housing.
- Converts any ratchet wrench into torque sensor.
- Ideal for applications with limited space accessibility.



CALIBRATION HEX STEP ADAPTER

Allows multiple size wrenches to be used with one adapter.

SEE PAGE 01.20



TITAN TORQUE WRENCH

Connect the SMX to the square drive of a wrench and monitor the torque applied.

SEE PAGE 04.18